

Cold store seal

Article No.: EASYLOX

With EASYLOX, the STUV engineers have conceived and designed a modular snap-on locking system for refrigerator and freezer doors that can be individually configured. Elegant stainless steel look or classic black? The modular system makes it easy to combine different decorative panels and interior handle variants.



Properties

- Available in two colour variants
- Optional: OEM version with customer logo on the cover plate
- Variable latch, backset adjustable to 10 mm
- Afterglow function of the covering cap on the inside handle (for emergency opening)
- For door thicknesses from 45 to 165 mm
- Operating range from -30°C to +80°C
- Lockable with wafer cylinder with two keys (nickel-plated steel), different locking 1 – 10 or in blind version without cylinder
- Cut outs identical to STUV VARILOX locking system
- EN 179 tested
- Made of particularly robust, durable and resistant materials: stainless steel and glass-fibre reinforced composite materials

Functional description

Open, close, as intuitive and ergonomically designed as a locking system should be. Simply pull or push in the opening direction of the door to trigger the mechanism.

Locations

- Cold room manufacturer
- Refrigerated vehicles



- Refrigerated hardware trade
- Metal/door construction
- Refrigerated door manufacturer

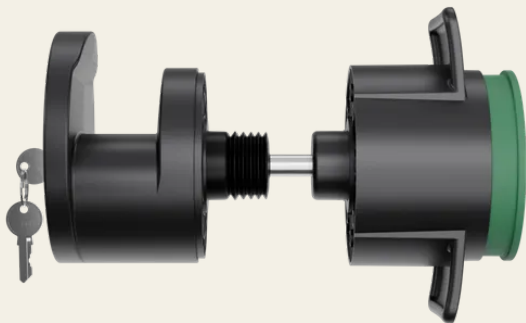
Technical data

Door thickness [mm]	45 to 165
Material	Composite materials
Surface	Coloured
Colour	RAL 9.005
Door version	Right-hand version / left-hand version
Standards	EN 179 tested
Temperature range	-30°C to +80°C
Door thickness	45 to 165
Locking function	Snap
Locking type	Cylinder
Multi-point locking system	No
Door type	Hinged door
Backset [mm]	80

**SECURITY
MADE IN GERMANY
SINCE 1883**



SECURITY
MADE IN GERMANY
SINCE 1883



SECURITY
MADE IN GERMANY
SINCE 1883

