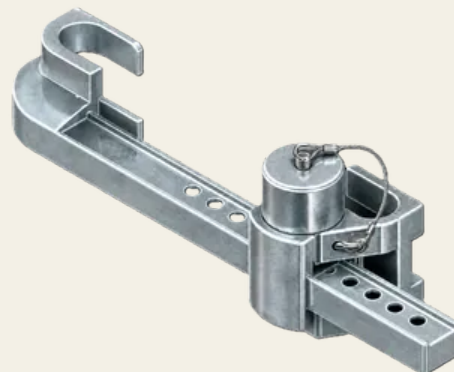


PYLOCX container lock

Article No.: PL7200

Electronic container lock ideal for construction, shipping and security containers. Weatherproof and corrosion-resistant. No installation required: simply hook onto the container's locking bars. Adjustable door bar spacing.



Properties

- Universally applicable container lock
- EPS-coated stainless steel
- Seawater-resistant
- Opening via one-time code or PIN
- No installation required

Functional description

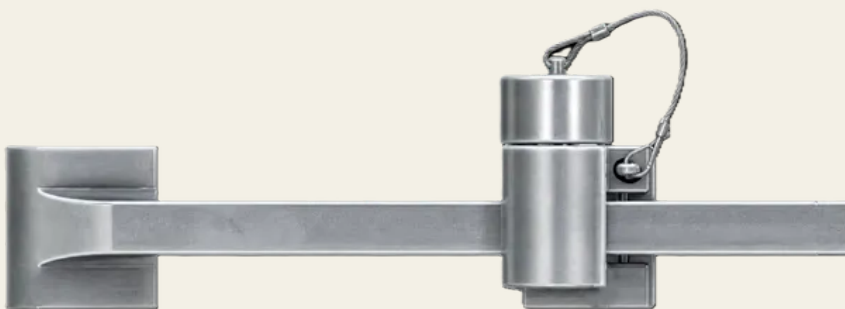
After entering the code, the PYKEY is placed on the contact point of the device. The code is transmitted and the device is supplied with power to open it. The container lock can now be pulled apart to release the door bars.

Technical specifications

Material	Stainless steel AISI316 (1.4.404)
Surface	EPS coating
Colour	Black
Assembly	Adjustable by hand

Technical specifications

Fixing type	Hook-in
Adjustability	Door bar distance adjustable from 210 mm to 420 mm
IP-Rating	IP68
Temperature range	-40°C to +60°C
Locking function	Electro-mechanical
Locking set	PYKEY
Lock type	Manual keyed
Hole position	Eight holes
Weight [kg]	3.8
Use	Construction, marine and safety containers



| SECURITY
| MADE IN GERMANY
| SINCE 1883

