

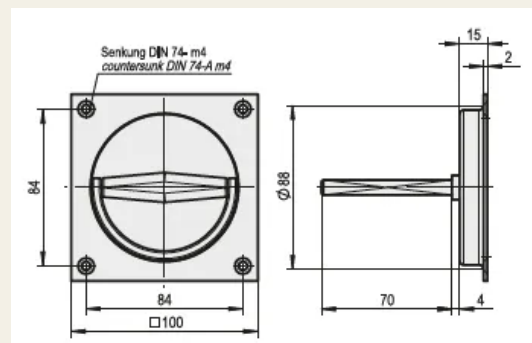
Screw-on folding ring shell handles

Article No.: TÛ3750

The hinged ring handles are used to operate doors in gymnasiums or sports halls, for example. They are recessed into the door leaf and do not protrude. This minimises the risk of injury.

Properties

— Stainless steel = pull tab and folding ring made of stainless steel



Functional description

These handles are made of stainless steel and have 4 visible screws.

Technical data

Material	Stainless steel
Surface	Matt
Colour	Silver
Dimensions [mm]	100 x 100 x 15

