

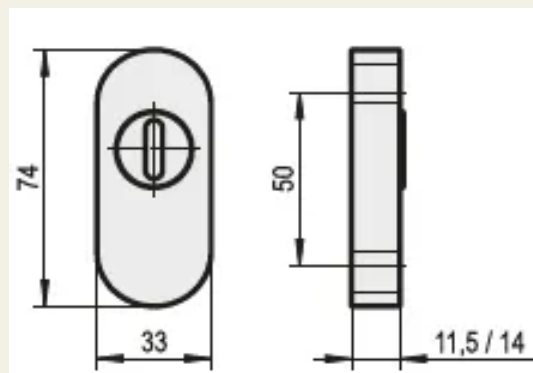
Security slide escutcheons for profile cylinders

Article No.: TÛ500

The slide rosettes are commonly used as insert parts on the outside of doors. They are available in aluminium or stainless steel and have integrated cylinder pull protection.

Properties

- Prepared for profile cylinders
- Thickness 11.5 mm suitable for cylinder projection max. 7.5 mm
- Thickness 14 mm suitable for cylinder projection max. 10.5 mm



Functional description

The bezels are oval and available in different heights.

Technical specifications

Colour

Silver

