

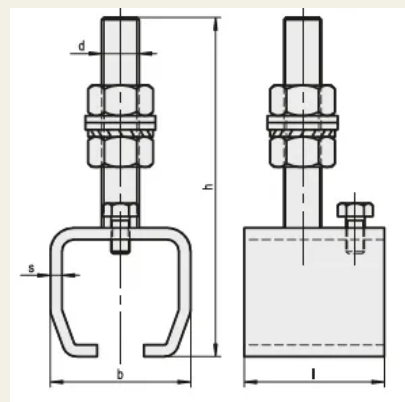
## Slip-on sleeve for profile rails

Article No.: TÛ950

The push-on sleeves are used in combination with the profile runners.

### Properties

- Steel blank or steel zinc-plated
- For height and side adjustment



### Functional description

The push-over sockets are available in various dimensions.

