

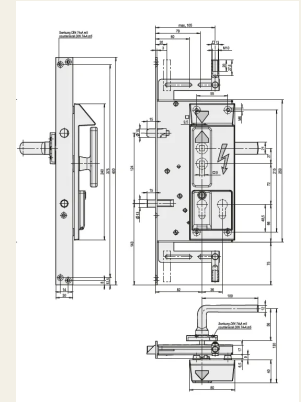
Surface-mounted lock, 2 profile cylinders with AP function

Article No.: TS550

The rim locks with double profile cylinder are designed for tubular frame or solid metal doors. In addition to the latch, they lock upwards and downwards via espagnolettes.

Properties

- Fall stroke 15 mm
- Vertical locking bolts: 20 mm stroke
- 9 mm square drive



Functional description

These slam-locks can be equipped with two profile cylinders, e.g. to implement different locking circuits. The lock can be opened from the inside at any time. This anti-panic function allows the room to be vacated at any time. The locks are used in doors for transformer stations, among other things.

Technical specifications

Material	Steel
Surface	Zinc-plated
Colour	Silver
Nut [mm]	9
Material forend	Steel Zinc-plated
Material deadbolt	Stainless steel

Technical specifications

Material lock housing Steel Zinc-plated

Dimensions LxWxH 175 x 137 x 29

Backset [mm] 33/105

Distance [mm] 72

