

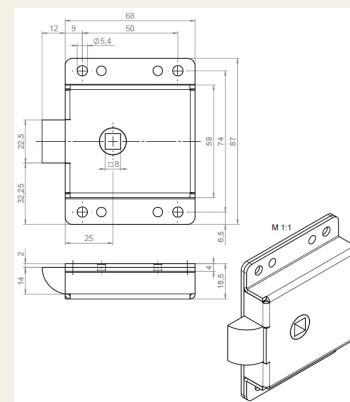
## Locking mechanism with latch

Article No.: V01801420/30

The screw-on locks are designed for different applications. Due to their small dimensions, they are often used on furniture doors or garden gates.

### Properties

- Zinc-plated steel lock
- 8mm square nut



### Functional description

These slam-locks are screwed onto the door leaf. They are operated via an 8 mm square spindle.

### Technical data

Material	Steel
Surface	Zinc-plated
Colour	Silver
Dimensions LxWxH	87x68x19
Backset	25 mm
Nut [mm]	8
Lock housing material	Steel zinc-plated
Dimensions [mm]	87 x 68 x 19

Technical data

Backset [mm]

25

