

Stainless steel hinge, 3-piece

Article No.: V04600500

The 3-part stainless steel hinge is the ideal solution for versatile door applications. It is suitable for surface-mounted, flush and recessed doors and can be used in both right-hand and left-hand versions.



Properties

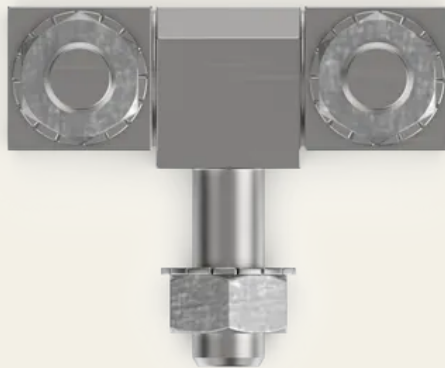
- For surface-mounted, flush-mounted and flush doors
- Right-hand version / left-hand version
- Opening angle 180 °
- Other sizes and materials available on request
- Long bracket available with or without threaded stud

Technical specifications

Material	Stainless steel
Colour	Silver
Assembly	With M8 threaded studs
Fixing type	Nut fixing
Adjustability	X-shaft
Opening angle	270
Door return	Prominent

Technical specifications

Feature	With fixed pin 80 mm
Dimensions LxWxH	49 x 18 x 18 mm
Opening angle	270
Installation opening [mm]	Ø 8.5 x 33 hole spacing
Door version	Right-hand version / Left-hand version



| SECURITY
| MADE IN GERMANY
| SINCE 1883

