

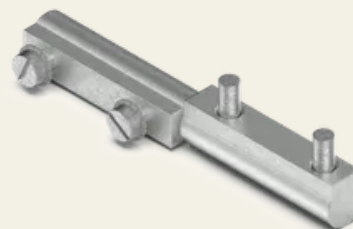


## Profile hinge 95 mm

Article No.: V05401410

---

Profile hinges offer a precise and reliable solution for demanding applications where high stability and durability are required. They are perfectly suited for use in areas that require a high level of security, such as critical infrastructure. Profile hinges ensure smooth and even movement without compromising safety or load capacity.



### Properties

- For surface-mounted doors
- Right-hand and left-hand versions available
- Minimalist design
- Other sizes and materials available on request

### Technical specifications

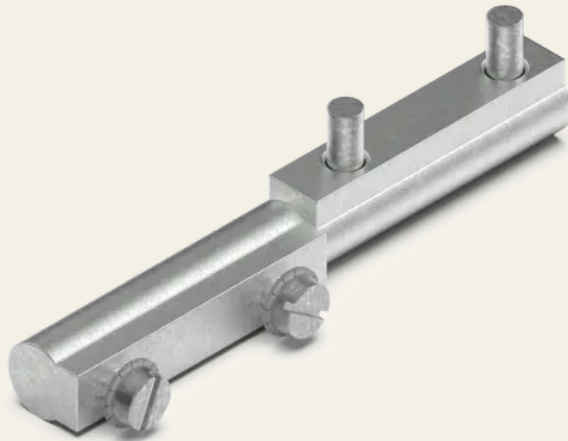
Material	Steel
Surface	Zinc-plated
Colour	Silver
Fixing type	Nut fixing
Adjustability	X-shaft
Opening angle	360
Door return	Prominent

## Technical specifications

Feature With fixed pin 25.5 mm, with stainless steel slip-on sleeve

Dimensions LxWxH 95 x 13 x 13 mm

Door version Right-hand version / Left-hand version



| SECURITY  
| MADE IN GERMANY  
| SINCE 1883

