

Weather protection rosette for 2 profile cylinders

Article No.: V09100210

The rain protection rosettes are commonly used for insert parts on doors that are exposed to the weather.

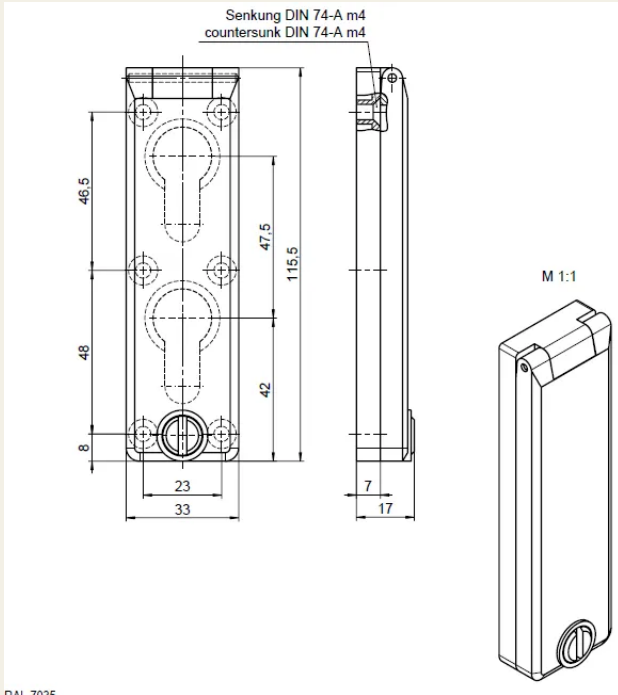
Functional description

The bezel is made of weatherproof composite materials. They are suitable for two profile cylinders on top of each other.



Technical data

Material	Composite materials
Surface	Raw
Colour	Grey
Dimensions LxWxH	17x33x115
Fixing type	M4
Dimensions [mm]	17 x 33 x 115



DAL 7025